

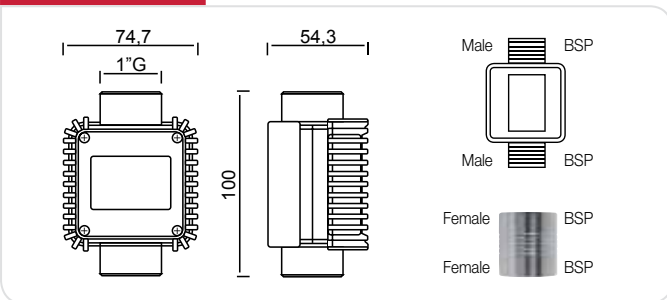
PIUSI K24 ADBLUE TURBINOX ELECTRONIC PULSE METRES

EN. K24 METER This meter is easy to install, in line or at the end of the delivery hose, and is provided with a compact easy readable display. It is possible to apply the meter directly on the nozzle. Users can easily replace the 2 batteries. Display can be rotated in 4 different positions. Impulse type signals: single channel, reed switch. Electronic card with LCD display: 5 digit partial total from 0.1 to 99999, 6 digit total from 1 to 999999. Resettable total available. Flow rate indication.

K24 PULSE-METER
Type of output signal: raw signal (reed switch) single channel. Max 28 V Ac/dc 100 mAmp (87,73 pulse/l).

TURBINOX INLINE PULSE METER
This meter is easy to install. A tight stainless steel body provides endurance for use in every condition. Also available is a pulser display to connect to an external receiver. User can easily replace the 2 display batteries.

DIMENSIONS



REGISTERED DESIGN
PATENTED



PRODUCTS' RANGE WEIGHT AND PACKAGING

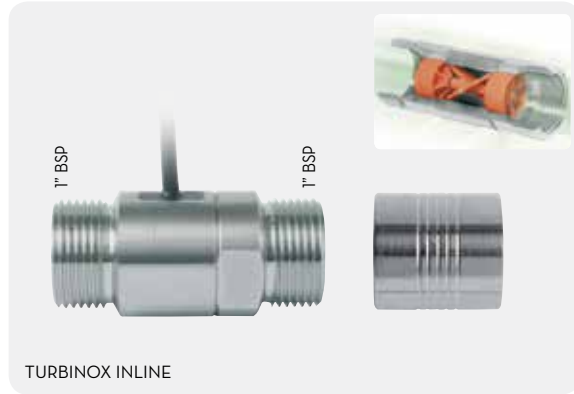
Code	Weight		Packaging		
	kg	lbs	mm	inch	pcs/box
F0040710A	0,4	0,9	Blister	Blister	1
F0040721B	0,4	0,9	115x160x135	4,5x6,3x5,3	1
F0042000A	0,5	1,1	80x80x75	3,1x3,1x3	1
F0042001A	0,5	1,1	80x80x75	3,1x3,1x3	1
F00410000	1,2	2,6	225x125x150	8,9x4,9x5,9	1
F0049503B	1,2	2,6	225x125x150	8,9x4,9x5,9	1
F16073000	2,4	3,1	Box	Box	20

Flow-rate
up to
100 l/min
(up to 26,4 gpm)

Accuracy
+/-
1%



K24 METER



TURBINOX INLINE

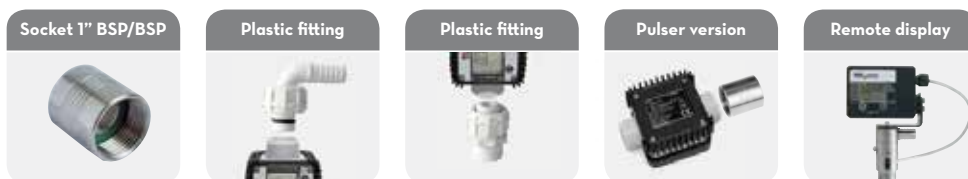


K24 METER
Rotable display



TURBINOX 90°

ON REQUEST



PRODUCTS' RANGE TECHNICAL DATA

Code	Description	Fluids type	Flow-rate		Pressure		Display	Pulse out (p/l)	
			l/min	gpm	bar	psi		Pulse version	Display version
F0040710A	K24 Meter (1 socket)	U	5 ÷ 120	1,3 - 26,4	10	145	YES	-	-
F0040721B	K24 Pulse-meter (1 socket) (87,73 pulse/l)	U	5 ÷ 120	1,3 - 26,4	10	145	NO	88	-
F0042000A	TURBINOX Inline turbine pulse meter	U	10 ÷ 40	2,6 - 10,6	20	290	NO	88	-
F0042001A	TURBINOX 90° turbine pulse meter	U	10 ÷ 40	2,6 - 10,6	20	290	NO	88	-
F00410000	TURBINOX 90° turbine pulse meter w/display Urea	U	10 ÷ 40	2,6 - 10,6	20	290	YES	88	1 ÷ 100
F0049503B	Remote display with Pulse OUT		-	-	-	-	YES	-	1 ÷ 100
F16073000	Socket 1" BSP/BSP (20 pcs)		-	-	-	-	-	-	-

476 Boundary Rd
Derrimut
VICTORIA 3026

Phone: 03 9311 7822
E-mail: sales@liquipvictoria.com.au

